

MRS. ALLAN D. CRUICKSHANK is widely known for her writing and nature photography. She is author of several books including "FLIGHT INTO SUNSHINE" and "BIRD ISLANDS DOWN EAST." A portfolio of her color photographs was published as a series of four charts last year by Woman's Day—a multi-million circulation general weekly. She is well-known to the thousands of adult campers who have attended the Audubon Camp of Maine since its inception in 1936.

"... Stood Up Through Everything ..."

WRITES MRS. ALLAN D. CRUICKSHANK: "I was fortunate when I first began serious bird watching to be guided by experts who recognized the need for excellent binoculars. They carefully inspected many kinds in search of one having a combination of central focusing, a wide field, vivid definition and a true rendering of color and pattern. At their recommendation I bought a 9X,35mm Bausch & Lomb as best for my purpose. Since 1935 this binocular has been in constant use on desert sands that stopped our watches, on salt water, in tropic heat and on snowy mountains. It has stood up through everything so well that it is as good as new."

Mrs. Allan D. Cruickshank

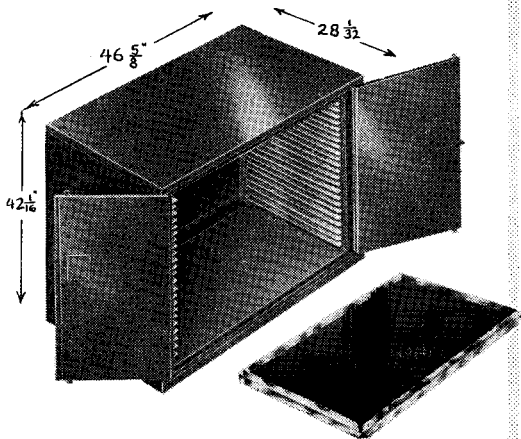


Bausch & Lomb
Zephyr-Light
9X 35mm Binocular
Balcoated Optics
\$204, Fed. tax incl.

WRITE FOR FREE CATALOG. 32 pages of useful information you should know before you buy any binocular. Tells how to select a glass for your own use. Bausch & Lomb Optical Co., 12228 Lomb Park, Rochester 2, N. Y.

BAUSCH & LOMB

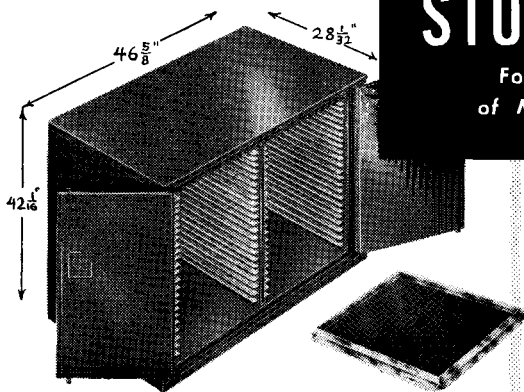
SINCE  1853



Skin Case #201 for Large Trays

**SKIN CASES
FOR
MAXIMUM
PROTECTION
CONVENIENCE
ECONOMY!**

Lane



Skin Case #202 for Small Trays

ZOOLOGICAL AND ORNITHOLOGICAL

**SPECIMEN
STORAGE CASE**

*For Protective Storage
of Mammal & Bird Skins*

- Locked "Live Rubber" Seal
- Sturdy double panel doors
- Locking mechanism secures both doors
- Tray guides permit maximum position of tray positions
- Fumigant Compartment
- Specimen Trays of aluminum and masonite — light weight — easy to handle.

FOR ILLUSTRATED BROCHURE WRITE

Institutional Division

CHAS J

Lane CORP

115 CHAMBERS STREET NEW YORK 7, N. Y.

THE AUK

A Quarterly Journal of Ornithology

ORGAN OF THE AMERICAN ORNITHOLOGISTS' UNION

For publication in 'The Auk,' articles or notes must present material that is of significance to ornithologists and that has not been published elsewhere. All manuscripts should be typewritten, double spaced, with wide margins. Titles should be brief. Terminal bibliographies are used as a rule for long articles. Only works actually cited in the text are to be included in these bibliographies; works not so cited will be deleted by the editors. Where fewer than five references to literature are made, they may be inserted in parentheses in the text. References in manuscript for 'General Notes' should be in the text. Consult issues of 'The Auk' since January 1949, for style of citation. Long articles should be summarized briefly. Footnotes, Roman numerals, and ruled tables are to be avoided. Acknowledgments belong in the text. Line drawings must be in India ink on white paper or drawing board; usually these should be planned for at least one-half reduction when printed. Thus, details and lettering must be correspondingly large. Legends must be brief. Photographs must be hard, glossy prints of good contrast. Common and scientific names of North American birds should follow the A.O.U. Check-List and supplements except in taxonomic papers giving critical discussions.

Proofs of all articles and notes will be sent to authors. Reprints from articles, 'General Notes,' and 'Correspondence' are to be paid for by the author. These must be ordered from the Editor on the blanks sent with the proof and must be returned with the proof. Printed covers can be furnished at additional cost.

All articles and notes submitted for publication and all books and publications intended for review should be sent to the Editor.

ROBERT W. STORER, *Museum of Zoology, University of Michigan, Ann Arbor, Michigan.*

All persons interested in ornithology are invited to join the American Ornithologists' Union. Application may be made to the Treasurer; dues for Associates are \$4.00 per year. 'The Auk' is sent without charge to all classes of members not in arrears for dues.

Send changes of address, claims for undelivered or defective copies of 'The Auk,' and requests for information relative to advertising, subscriptions, back numbers of 'The Auk,' as well as for other publications of the Union, to the Treasurer.

CHARLES G. SIBLEY, *Fernow Hall, Cornell University, Ithaca, New York.*

OFFICERS OF THE AMERICAN ORNITHOLOGISTS' UNION

President: ALDEN H. MILLER, University of California, Museum of Vertebrate Zoology, Berkeley 4, California.

First Vice-President: LUDLOW GRISCOM, Harvard University, Museum of Comparative Zoology, Cambridge 38, Massachusetts.

Second Vice-President: ERNST MAYR, Harvard University, Museum of Comparative Zoology, Cambridge 38, Massachusetts.

Editor: ROBERT W. STORER, University of Michigan, Museum of Zoology, Ann Arbor, Michigan.

Secretary: HAROLD F. MAYFIELD, 2557 Portsmouth Avenue, Toledo 13, Ohio.

Treasurer: CHARLES G. SIBLEY, Cornell University, Fernow Hall, Ithaca, New York.

BOB ALLEN

Research Associate,
National Audubon Society

Says

In its detailed accuracy, geographic coverage and number of contributors *Audubon Field Notes* is a unique demonstration of a steadily growing interest in bird watching in this country. It is also evidence of a wholesome maturity among those who study birds for a hobby. Not only does each issue represent many happy, healthy hours afield (which is, in itself, important), but the data thus placed on record comprise a reference source of great potential value.

Subscription: One year \$3.00 Two years \$5.50 Three years \$7.50

Separate copies of April issue—Christmas Bird Count—\$2.00

NATIONAL AUDUBON SOCIETY

1130 Fifth Avenue, New York 28, N. Y.

WAREHOUSE DISTRIBUTORS OF ORNITHOLOGICAL COLLECTING SUPPLIES

TOOLS—All Available Makes

SHOT—We stock hard to get #12's, and all other sizes of chilled shot

WADS—10, 12, 16, 20 and 410 Gauge Wads for Shotshells

POWDER—We actually store in our own magazines all the numbers of
DuPONT and HERCULES Rifle and Shotgun Powders—
Both SMOKELESS and BLACK

PRIMERS—All Sizes

Write Us About Your Collector's Loading Problems

**We Are the Largest Exclusive Distributors of Ammunition Loading
Material in the World**

PRECISION TOOL & GUN CO.

303-305 E. Upland Road, Ithaca, N. Y.

UNIVERSITY OF MINNESOTA SUMMER SESSION

Itasca Forestry and Biological Station

June 14 to July 17, 1954

Graduate and undergraduate field courses in ornithology, limnology, plant and animal ecology, mycology, entomology, algology, and plant taxonomy.

Teaching staff from the Universities of Minnesota, Wisconsin, and Ohio State.

For Bulletin write to: Dean, Summer Session, 927 Johnston Hall

UNIVERSITY OF MINNESOTA, Minneapolis 14, Minnesota